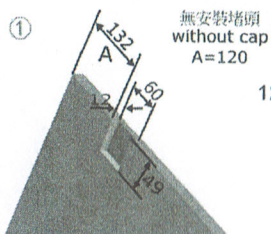


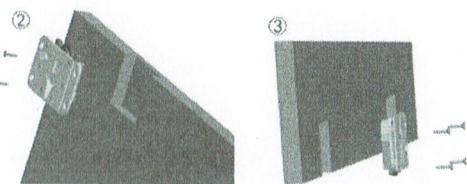
DW309配件說明 Accessories description for DW309

配件名稱 Accessory	配件簡圖 Drawing	2門 2doors	3門 3doors	配件名稱 Accessory	配件簡圖 Drawing	2門 2doors	3門 3doors
滑輪 Runner		8	12	鋁軌道 Aluminum rail		4	4
				六角匙 Allen Key		1	1
鋁軌道堵頭 Cap for Alum. rail ending		8	8	ST4*16十字沉頭自攻釘 ST4*16 Cross recessed countersunk head tapping screws		32	48
緩衝器 Damper						4	4

鐵槽尺寸 Slot Dimension



滑輪安裝 Runner Installation



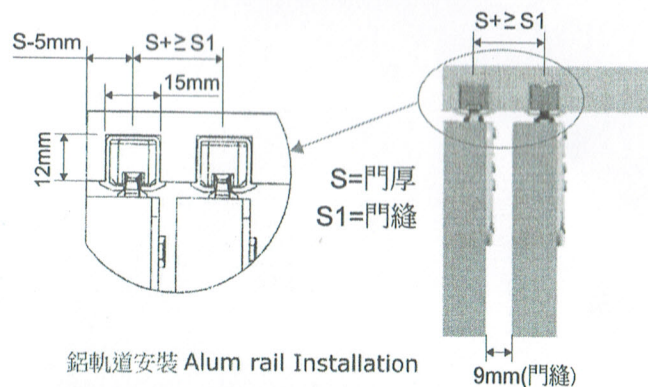
緩衝棒安裝 Damper Installation



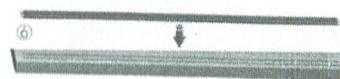
堵頭安裝 Ending cap Installation



鋁軌道間距預留說明圖

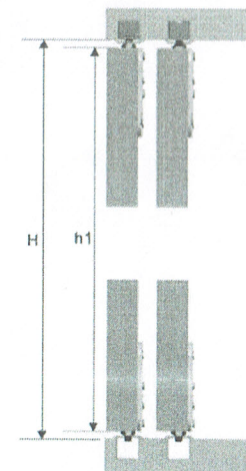


鋁軌道安裝 Alum rail Installation



框門與門洞尺寸關係

The Formula Between Door Height And Cabinet Height



Combine rail
雙軌門高扣減
 $H-h1=28\text{mm}$

Single rail
單軌門高扣減
 $H-h1=12\text{mm}$

